



# Instructions For Use

## **JA-25.50 Fixed-Angle Rotor**

For Use in Beckman Coulter  
J2 and Avanti J Series Centrifuges



PN J-TB-056FF  
October 2022



Beckman Coulter, Inc.  
250 S. Kraemer Blvd.  
Brea, CA 92821 U.S.A.



**JA-25.50 Fixed-Angle Rotor**  
PN J-TB-056FF (October 2022)

©2022 Beckman Coulter, Inc.  
All rights reserved.

Beckman Coulter, the stylized logo, and the Beckman Coulter product and service marks mentioned herein are trademarks or registered trademarks of Beckman Coulter, Inc. in the United States and other countries.

All other trademarks are the property of their respective owners.

**Contact Us**

If you have any questions, contact our Customer Support Center.

- Worldwide, find us via our website at [www.beckman.com/support/technical](http://www.beckman.com/support/technical)
- In the USA and Canada, call us at 1-800-369-0333.
- In Austria, call us at 0810 300484
- In Germany, call us at 02151 333999
- In Sweden, call us at +46 (0)8 564 859 14
- In the Netherlands, call us at +31 348 799 815
- In France, call us at 0825838306 6
- In the UK, call us at +44 845 600 1345
- In Ireland, call us at +353 (01) 4073082
- In Italy, call us at +39 0295392 456
- In other locales, contact your local Beckman Coulter Representative.

**EC REP**

Beckman Coulter Eurocenter S.A.  
22, rue Juste-Olivier  
Case Postale 1044  
CH - 1260 Nyon 1, Switzerland  
Tel: +41 (0) 22 365 36 11

Glossary of Symbols is available at [beckman.com/techdocs](http://beckman.com/techdocs) (PN C24689).

*May be covered by one or more pat. - see [www.beckman.com/patents](http://www.beckman.com/patents)*

Original Instructions

# Revision History

*When a subsequent version affects the information in this document, a new issue will be released to the Beckman Coulter website. For updates, go to [www.beckman.com/techdocs](http://www.beckman.com/techdocs) and download the latest version of the manual or system help for your instrument.*

**Issue FE, 2/18**

Changes or additions were made to: Specifications.

**Issue FF, 10/22**

Changes or additions were made to: *Safety Notice, Description.*

**Note:** *Changes that are part of the most recent revision are indicated in text by a bar in the margin of the amended page.*



# Safety Notice

**Read all product manuals and consult with Beckman Coulter-trained personnel before attempting to use this equipment. Do not attempt to perform any procedure before carefully reading all instructions. Always follow product labeling and manufacturer's recommendations. If in doubt as to how to proceed in any situation, contact your Beckman Coulter Representative.**

Beckman Coulter, Inc. urges its customers and employees to comply with all national health and safety standards such as the use of barrier protection. This may include, but is not limited to, protective eyewear, gloves, and suitable laboratory attire when operating or maintaining this or any other laboratory centrifuge.



This safety notice summarizes information basic to the safe use of the rotor described in this manual. The international symbol displayed to the left is a reminder to the user that all safety instructions should be read and understood before operation or maintenance of this equipment is attempted. When you see the symbol on other pages of this publication, pay special attention to the safety information presented. Observance of safety precautions will also help to avoid actions that could damage or adversely affect the performance of the rotor. This rotor was developed, manufactured, and tested for safety and reliability as part of a Beckman Coulter centrifuge/rotor system. Its safety or reliability cannot be assured if used in a centrifuge not of Beckman Coulter's manufacture or in a Beckman Coulter centrifuge that has been modified without Beckman Coulter's approval.

## **WARNING**

**If the equipment is used in a manner not specified by Beckman Coulter, Inc., the protection provided by the equipment may be impaired.**

## **CAUTION**

**If you purchased this product from anyone other than Beckman Coulter or an authorized Beckman Coulter distributor, and, if it is not presently under a Beckman Coulter Service Maintenance Agreement, Beckman Coulter cannot guarantee that the product is fitted with the most current mandatory engineering revisions or that you will receive the most current information bulletins concerning the product. If you purchased this product from a third party and would like further information concerning this topic, [Contact Us](#).**

## Alerts for Warning, Caution, Important, and Note

---

### **WARNING**

**WARNING** indicates a potentially hazardous situation which, if not avoided, could result in death or serious injury.

### **CAUTION**

**CAUTION** indicates a potentially hazardous situation, which, if not avoided, may result in minor or moderate injury. It may also be used to alert against unsafe practices.

**IMPORTANT** **IMPORTANT** is used for comments that add value to the step or procedure being performed. Following the advice in the Important adds benefit to the performance of a piece of equipment or to a process.

**NOTE** **NOTE** is used to call attention to notable information that should be followed during installation, use, or servicing of this equipment.

## Safety Information for the JA-25.50 Rotor

---

**IMPORTANT** This rotor was developed, manufactured, and tested for safety and reliability as part of a Beckman Coulter centrifuge/rotor system. Its safety or reliability cannot be assured if used in a centrifuge not of Beckman Coulter's manufacture or in a Beckman Coulter centrifuge that has been modified without Beckman Coulter's approval.

Handle body fluids with care because they can transmit disease. No known test offers complete assurance that such fluids are free of micro-organisms. Some of the most virulent — Hepatitis (B and C) viruses, HIV (I–V), atypical mycobacteria, and certain systemic fungi— further emphasize the need for aerosol protection. Handle other infectious samples according to good laboratory procedures and methods to prevent spread of disease. Because spills may generate aerosols, observe proper safety precautions for aerosol containment. Do not run toxic, pathogenic, or radioactive materials in this rotor without taking appropriate safety precautions. Biosafe containment should be used when Risk Group II materials (as identified in the World Health Organization *Laboratory Biosafety Manual*) are handled; materials of a higher group require more than one level of protection.

The rotor and accessories are not designed for use with materials capable of developing flammable or explosive vapors. Do not centrifuge such materials in nor handle or store them near the centrifuge.

Although rotor components and accessories made by other manufacturers may fit in the JA-25.50 rotor, their safety in this rotor cannot be ascertained by Beckman Coulter. Use of other manufacturers' components or accessories in the JA-25.50 rotor may void the rotor warranty and should be prohibited by your laboratory safety officer. Only the components and accessories listed in this publication should be used in this rotor.

Do not run an empty rotor. Place filled tubes in at least two opposing cavities. Make sure that filled containers are loaded symmetrically into the rotor and that opposing tubes are filled to the same level with liquid of the same density.

If disassembly reveals evidence of leakage, you should assume that some fluid escaped the rotor. Apply appropriate decontamination procedures to the centrifuge and accessories.

Never exceed the maximum rated speed of the rotor and labware in use. Refer to the section on [Run Speeds](#), and derate the run speed as appropriate.

Do not use sharp tools on the rotor that could cause scratches in the rotor surface. Corrosion begins in scratches and may open fissures in the rotor with continued use.

## Safety During Installation and/or Maintenance

---

### **WARNING**

**Risk of injury or equipment damage. Vapors from flammable reagents or combustible fluids could enter the centrifuge air system and be ignited by the motor. Do not use the centrifuge in the vicinity of flammable liquids or vapors, and do not run such materials in the instrument.**

### **CAUTION**

**Risk of equipment damage. Corrosion begins in scratches and may open fissures in the rotor, carriers, and carriages with continued use. Do not use sharp tools on the rotor that could cause scratches in the rotor surface carrier and carriage surfaces.**

Perform only the maintenance described in [Maintenance](#).

**IMPORTANT** It is your responsibility to decontaminate components of the instrument before requesting service by a Beckman Coulter Representative or returning parts to Beckman Coulter for repair. Beckman-Coulter will NOT accept any items which have not been decontaminated where it is appropriate to do so. If any parts are returned, they must be enclosed in a sealed plastic bag stating that the contents are safe to handle and are not contaminated.

Any servicing of this equipment that requires removal of any covers can expose parts that involve the risk of electric shock or personal injury. Make sure that the power switch is off and the centrifuge is disconnected from the main power source by removing the Mains (power) plug from the outlet receptacle, and refer such servicing to qualified personnel.

Do not replace any centrifuge components with parts not specified for use on this instrument.



Risk of personal injury. Use appropriate lifting techniques when installing this rotor into or removing it from the instrument.

## Radiation Safety

---



Use universal precautions when working with radioactive materials. Means must be available to decontaminate the instrument and dispose of radioactive waste.

## Chemical and Biological Safety

---



Use universal precautions when working with pathogenic materials. Means must be available to decontaminate the instrument and to dispose of biohazardous waste.

**NOTE** Observe all warnings and cautions listed for any external devices attached or used during operation of the instrument. Refer to applicable external device user's manuals for operating procedures of that device.

**NOTE** For Safety Data Sheets (SDS) information, go to the Beckman Coulter website at <https://www.beckman.com/techdocs>.



 **WARNING**

Risk of chemical injury from bleach. To avoid contact with the bleach, use barrier protection, including protective eyewear, gloves, and suitable laboratory attire. Refer to the Safety Data Sheet for details about chemical exposure before using the chemical.

 **WARNING**

Risk of personal injury or equipment damage. Ethanol is a flammability hazard. Do not use it in or near operating or powered centrifuges.

 **WARNING**

Risk of personal injury or property damage. The rotors and accessories are not designed for use with materials capable of developing flammable or explosive vapors. Do not centrifuge such materials in, nor handle or store them near the centrifuge.

 **WARNING**

Risk of personal injury or contamination. Before running the centrifuge with chemical or biological samples, test new labware types to determine if normal operation of the rotor may involve the use of materials that are toxic or otherwise biologically harmful. When using such materials, observe the following precautions:

- Handle infectious samples according to good laboratory procedures and methods to prevent the spread of disease.
- Observe all cautionary information printed on the original solutions' containers prior to their use.
- Dispose of all waste solutions according to your facility's waste disposal procedures.
- Operate the instrument in accordance with the instructions outlined in this manual and take all the necessary precautions when using pathological, toxic, or radioactive materials.
- Splashing of liquids may occur; therefore, take appropriate safety precautions, such as using safety glasses and wearing protective clothing, when working with potentially hazardous liquids.
- Use an appropriately-contained environment when using hazardous materials.
- Observe the appropriate cautionary procedures as defined by your safety officer when using flammable solvents in or near a powered-up instrument.
- Always observe appropriate cautionary procedures as defined by your safety officer when using flammable solvents or toxic, pathological, or radioactive materials.

## Mechanical Safety

---

 **WARNING**

**Risk of personal injury. To avoid injury due to moving parts, observe the following:**

- **Before starting the centrifuge, make sure that the rotor tie-down screw is securely fastened.**
- **Never attempt to exchange labware or reagents while the instrument is operating.**
- **Never attempt to physically restrict any of the moving components of the instrument.**
- **NEVER attempt to slow or stop a rotor by hand.**
- **Keep the instrument work area clear to prevent obstruction of the movement.**

Rotors are designed for use at the speeds indicated; however, speed reductions may be required because of weight considerations of tubes, adapters, and/or the density of the solution being centrifuged. Be sure to observe the instructions in the applicable rotor manual.

The strength of containers can vary between lots, and will depend on handling and usage. We highly recommend that you pretest them in the rotor (using buffer or gradient of equivalent density to the intended sample solution) to determine optimal operating conditions.

To help prevent premature failures or hazards by detecting stress corrosion, metal fatigue, wear or damage to anodized coatings, and to instruct laboratory personnel in the proper care of rotors, Beckman Coulter offers the Field Rotor Inspection Program (FRIP). This program involves a visit to your laboratory by a specially trained Beckman Coulter representative, who will inspect all of your rotors for corrosion or damage. The representative will recommend repair or replacement of at risk rotors to prevent potential rotor failures. [Contact Us](#) to request this service.

## Cleaning

---

Observe the cleaning procedures outlined in this user's manual for the rotor. Prior to cleaning equipment that has been exposed to hazardous material:

- Contact the appropriate Chemical and Biological Safety personnel.
- Review the Chemical and Biological Safety information in the user's manual.

## Maintenance

---

Perform only the maintenance described in this manual. Maintenance other than that specified in this manual should be performed only by your Beckman Coulter Representative.

**IMPORTANT** It is your responsibility to decontaminate components of the instrument before requesting service by a Beckman Coulter Representative or returning parts to Beckman Coulter. Beckman Coulter will NOT accept any items which have not been decontaminated where it is appropriate to do so. If any parts are returned, they must be enclosed in a sealed plastic bag stating that the contents are safe to handle and are not contaminated.

## Disposal

---

Clean and decontaminate the rotor per the Care and Maintenance section of this manual before disposal. Users are encouraged to check with local waste disposal authorities for specific disposal requirements.



# Contents

Revision History, iii

Safety Notice, v

Alerts for Warning, Caution, Important, and Note, vi

Safety Information for the JA-25.50 Rotor, vi

Safety During Installation and/or Maintenance, vii

Radiation Safety, viii

Chemical and Biological Safety, viii

Mechanical Safety, x

Cleaning, x

Maintenance, x

Disposal, xi

**JA-25.50  
Fixed-Angle Rotor, 1**

Specifications, 1

Description, 2

Preparation and Use, 3

Care and Maintenance, 13

Returning a Rotor, 17

Supply List, 18

**Beckman Coulter, Inc.  
J Series Rotor Warranty**

**Related Documents**

# Illustrations

- 1 The JA-25.50 Fixed-Angle Rotor, 2
- 2 Fluid-Containment Annulus and Finger-Grip Grooves, 3
- 3 Typical Examples of Arranging Tubes in the Rotor, 4

# Tables

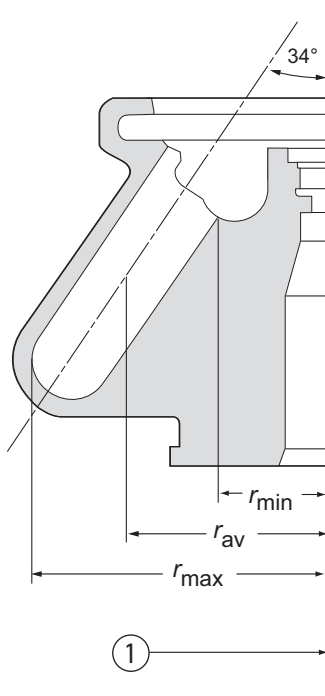
- 1 Temperature Compensation Settings for Analog- and Microprocessor-Controlled Centrifuges , 7
- 2 Temperature Compensation Settings for the Model J2-HC Analog Centrifuge. , 7
- 3 Available Tubes and Bottles for the JA-25.50 Rotor, 11
- 4 Relative Centrifugal Fields for the JA-25.50 Rotor, 14





# JA-25.50 Fixed-Angle Rotor

## Specifications



1. Axis of Rotation

Maximum speed.....	25,000 RPM <sup>a</sup>
Critical speed range <sup>b</sup> .....	600 to 800 RPM
Density rating at maximum speed.....	1.2 g/mL
Maximum allowable imbalance of opposing loads.....	2 grams
Relative Centrifugal Field <sup>c</sup> at maximum speed	
At $r_{max}$ (108 mm).....	$75,600 \times g$
At $r_{av}$ (73.2 mm).....	$51,200 \times g$
At $r_{min}$ (38.5 mm).....	$27,000 \times g$
$k$ factor at maximum speed.....	418
Conditions requiring speed reductions.....	see <a href="#">Run Speeds</a>
Number of tube cavities (round bottom).....	8
Available bottles and tubes.....	see <a href="#">Table 3</a>
Nominal tube dimensions.....	29 × 104 mm
Nominal tube capacity.....	50 mL
Nominal rotor capacity.....	400 mL
Approximate acceleration time to maximum speed (rotor fully loaded)	
in an Avanti J centrifuge (to 25,000 RPM).....	3 1/2 min
in a J2 series centrifuge (to 21,000 RPM).....	1 3/4 min
Approximate deceleration time from maximum speed (rotor fully loaded, max. brake)	
in an Avanti J centrifuge (from 25,000 RPM).....	1 3/4 min
in a J2 series centrifuge (from 21,000 RPM).....	2 1/2 min
Rotor weight, empty.....	8.1 kg (17.8 lb)
Rotor weight, maximum sample mass.....	8.7 kg (19.1 lb)
Rotor material.....	aluminum
Rotor entry code for microprocessor-controlled J2 series instruments.....	25.5

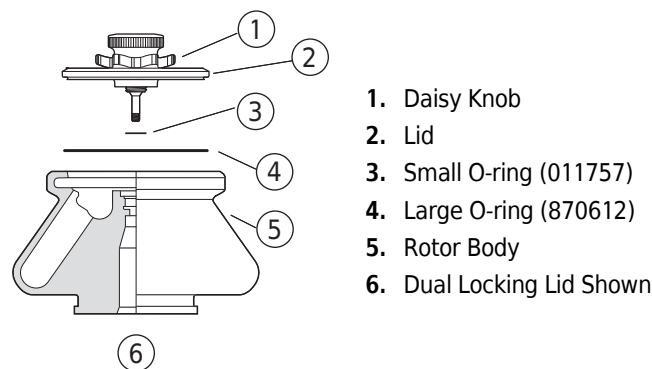
a. Discontinued Avanti J-251 and Avanti J-25, 50-Hz models: at 4°C (at 24°C ambient) – 24,000 RPM ( $69,700 \times g$ ) at 7°C (at 24°C ambient) – 25,000 RPM ( $75,600 \times g$ ). In Avanti JXN-26, J-26S XP series, J-26 XP series, and discontinued J-20 XP series, at speeds above 20,000, the minimum temperature set point will be above 4°C. In Avanti JXN-26, J-26S XP series, J-26 XP series, and discontinued J-20 XP series, 50Hz models: at 10°C (at 24°C ambient) - 22,000 RPM ( $58,544 \times g$ ) at 13°C (at 24°C ambient) - 25,000 RPM ( $75,600 \times g$ ). NOTE: at ambient temperatures above 24°C, the temperatures listed above may not be achievable.

## JA-25.50 Fixed-Angle Rotor

### Description

- b. The critical speed range is the range of speeds over which the rotor shifts so as to rotate about its center of mass. Passing through the critical speed range is characterized by some vibration.
- c. Relative Centrifugal Field (RCF) is the ratio of the centrifugal acceleration at a specified radius and speed ( $r\omega^2$ ) to the standard acceleration of gravity ( $g$ ) according to the following formula:  $RCF = r\omega^2/g$  — where  $r$  is the radius in millimeters,  $\omega$  is the angular velocity in radians per second ( $2\pi \text{ RPM}/60$ ), and  $g$  is the standard acceleration of gravity ( $9807 \text{ mm/s}^2$ ). After substitution:  $RCF = 1.12r (\text{RPM}/1000)^2$

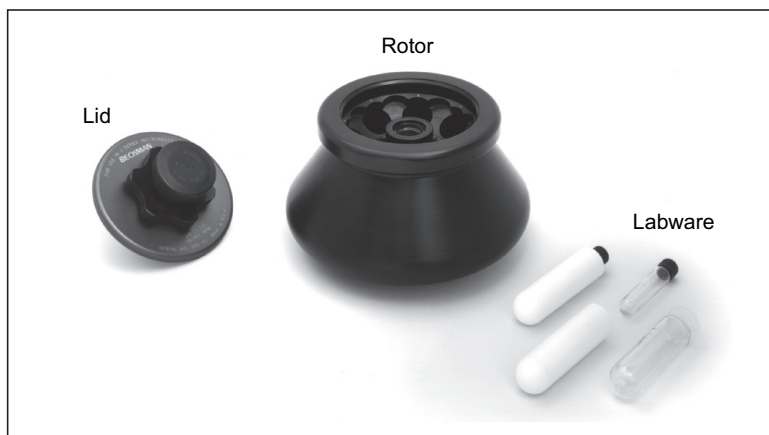
## Description



Beckman Coulter JA-25.50 rotors are manufactured in a facility that maintains certifications to both ISO 9001:2008 and ISO 13485:2003. They are for use with the specified Beckman Coulter centrifuges.

The JA-25.50 fixed-angle rotor is designed to hold up to eight 50-mL tubes at a 34-degree angle (see [Figure 1](#)). Used in Beckman Coulter Avanti J and J2 series centrifuges, the JA-25.50 rotor develops centrifugal forces that can efficiently pellet cells from large volumes, or cell particles from tissue homogenates. Short column methods (i.e., partially filled tubes) may also be used to purify large quantities of virus in a cushion gradient.

**Figure 1** The JA-25.50 Fixed-Angle Rotor\*



\* The dual-locking lid is shown.

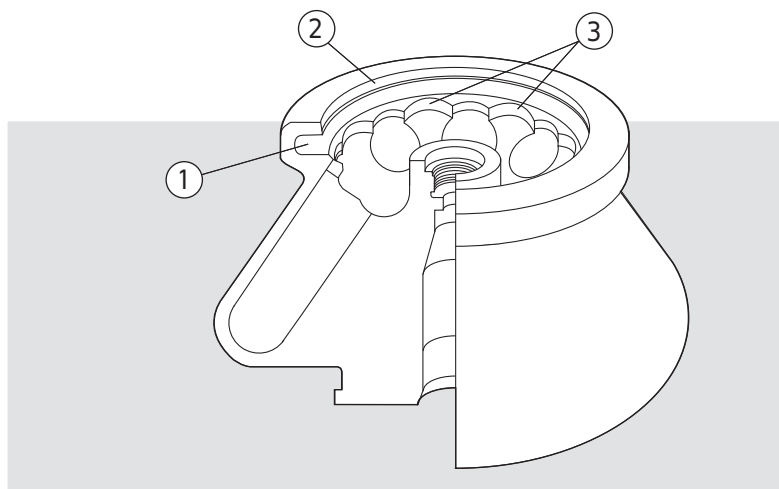
The dual-locking lid assembly allows the rotor to be loaded into and removed from the centrifuge with the lid attached. The rotor may be placed under a safety hood before the lid is attached or removed. The rotor is also available with a single-locking lid assembly.

The JA-25.50 rotor has a patented fluid-containment annulus, located below the O-ring sealing surface (see [Figure 2](#)). If tubes are overfilled or if leakage occurs during centrifugation, the annulus holds enough volume that all of the liquid is kept inside the rotor — even if all eight tubes leak at the same time. This feature virtually eliminates the escape of liquid into the centrifuge chamber. Finger-grip grooves in the area around and between each tube cavity (see [Figure 2](#)) provide extra room for fingers as tubes are loaded and unloaded.

The rotor and lid are made of anodized aluminum. Two O-rings made of Buna N rubber, both located in the rotor lid, help to maintain atmospheric pressure inside the rotor during centrifugation when they are properly lubricated. Vertical pins in the rotor drive hole mate with the centrifuge drive hub to prevent the rotor from slipping during acceleration and deceleration.

See the Warranty at the back of this manual for warranty information.

**Figure 2** Fluid-Containment Annulus and Finger-Grip Grooves



1. Fluid Containment Annulus
2. O-ring Sealing Surface
3. Finger-Grip Grooves

## Preparation and Use

*Specific information about the JA-25.50 rotor is given here. Use the Rotors and Tubes for Beckman Coulter J Series Centrifuges manual (publication JR-IM) and the centrifuge instruction manual along with this manual for complete rotor and accessory operation.*

**NOTE** Although rotor components and accessories made by other manufacturers may fit in the JA-25.50 rotor, their safety in this rotor cannot be ascertained by Beckman Coulter. Use of other manufacturers' components or accessories in the JA-25.50 rotor may void the rotor warranty and should be prohibited by your laboratory safety officer. Only the components and accessories listed in this publication should be used in this rotor.

## Prerun Safety Checks

Read the [Safety Notice](#) section at the front of this manual before using the rotor.

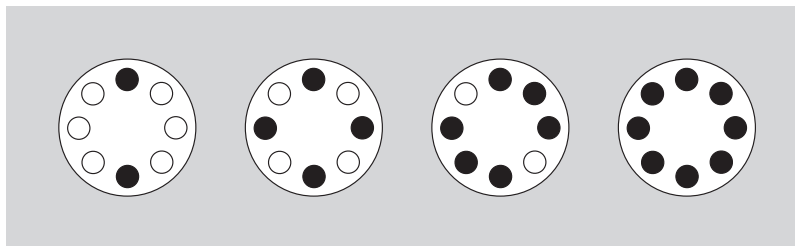
- 1 Make sure that the rotor, lid, and all tubes or bottles and accessories are clean and show no signs of corrosion or cracking.
- 2 Verify that the bottles or tubes being used are listed in [Table 3](#).
- 3 Refer to *Chemical Resistances* (publication IN-175), included in the *Rotors and Tubes* CDs for the chemical compatibilities of all materials used.

## Rotor Preparation

For runs at other than room temperature refrigerate or warm the rotor beforehand for fast equilibration.

- 1 Be sure that metal threads in the rotor are clean and lightly but evenly lubricated with Spinkote lubricant (306812).  
Also ensure that O-rings are lightly but evenly coated with silicone vacuum grease (335148).
- 2 Load the filled containers symmetrically into the rotor.
  - (Refer to [Tubes and Bottles](#) on page 10 for information about containers.)
  - If fewer than eight tubes are being run they must be arranged symmetrically in the rotor (see [Figure 3](#)).
  - Opposing tubes must be filled to the same level with liquid of the same density.

**Figure 3** Typical Examples of Arranging Tubes in the Rotor



**NOTE** Two, four, six, or eight tubes can be centrifuged per run if they are arranged in the rotor as shown.

**NOTE** Do not run an empty rotor. Place filled tubes in at least two opposing cavities.

## Operation

- 1 Precool the rotor in the centrifuge or in a refrigerator before use—especially before short runs—to ensure that the rotor reaches the set temperature.  
A suggested precooling cycle is a minimum of 30 minutes at 2000 RPM at the required temperature.
- 2 If fluid containment is required, *use capped tubes or bottles*.  
It is strongly recommended that all containers carrying physiological fluids be capped to prevent leakage.
- 3 If you are using an Avanti J series centrifuge, select the JA-25.50 rotor.
- 4 If you are using a microprocessor-controlled J2 series centrifuge, enter rotor code **25.5**.  
Refer to your centrifuge instruction manual for additional information.
- 5 For additional operating information, see the following:

  - [Run Times](#), page 12, for using *k* factors to adjust run durations.
  - [Run Speeds](#), page 13, for information about speed limitations.

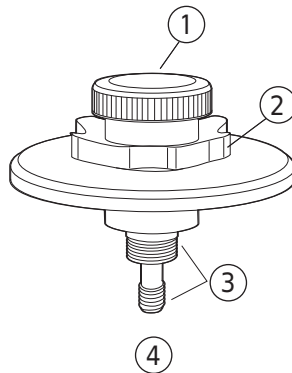
## Installing the Rotor

- 1 To prevent the rotor from sticking to the centrifuge drive hub, apply a thin coat of Spinkote lubricant to the rotor drive pins and to the lid knob threads
- 2 Lightly coat the large and small lid O-rings with silicone vacuum grease.
- 3 *Dual-locking lid only*. Place filled tubes into the rotor, then place the lid on the rotor and turn the daisy knob to the right (clockwise) until secure.  
Do not overtighten.
- 4 Carefully lower the rotor straight down onto the centrifuge drive spindle hub.  
*Do not drop the rotor onto the spindle hub.*
- 5 Slowly turn the rotor around the drive spindle to make sure that it is properly seated.

**6** Secure the rotor to the centrifuge drive spindle as follows:

- a. *Dual-locking lid*: press the lid knob down and turn it to the right (clockwise) until secure, no more than two full turns.

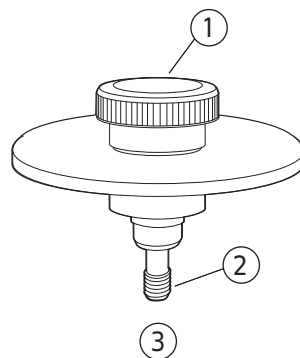
Do not overtighten



- 1. Tie-down Knob
- 2. Daisy Knob
- 3. Lubricate Threads
- 4. Dual-Locking Lid

- b. *Single-locking lid*: place filled tubes into the rotor, then place the lid on the rotor. Press the lid knob down and turn it to the right (clockwise) until secure.

Do not overtighten.



- 1. Tie-down Knob
- 2. Lubricate Threads
- 3. Single-Locking Lid



**If the rotor is left in the centrifuge between runs, make sure that the rotor is seated on the drive hub and that the tie-down knob is tight before each run.**

## Temperature

To ensure that the JA-25.50 rotor reaches the required temperature during the run, follow the appropriate instructions below for the model of J centrifuge being used.

## Avanti J Series Centrifuges

Enter the run temperature according to the instructions in your centrifuge instruction manual. No additional input is required.

## J2 Series Centrifuges

Enter the required run temperature *and* the appropriate temperature compensation units (see [Table 1](#) and [Table 2](#)) on the centrifuge control panel as follows.

**Table 1** Temperature Compensation Settings for Analog- and Microprocessor-Controlled Centrifuges <sup>a</sup>

Rotor Speed (RPM)	Required Sample Temperature (°C)						
	-20	-10	2	5	10	20	40
21,000	N <sup>b</sup>	N	-7	-5	-6	-5	-9
18,000	N	-5	-5	-5	-5	-4	-7
15,000	0	-2	-3	-3	-2	-2	-6
10,000	0	0	-1	0	-1	0	-3

a. (Models J2-HS, J2-MI, and J2-MC). Interpolate if intermediate values are required.

b. An "N" indicates that the rotor cannot achieve the required temperature at this speed.

**Table 2** Temperature Compensation Settings for the Model J2-HC Analog Centrifuge. <sup>a</sup>

Rotor Speed (RPM)	Required Sample Temperature (°C)						
	-20	-10	2	5	10	20	40
18,000	N <sup>b</sup>	-8	-6	-6	-6	-6	-5
15,000	-7	-6	-5	-5	-5	-4	-4
10,000	-5	-3	-2	-3	-4	-3	-2

a. Interpolate if intermediate values are required

b. An "N" indicates that the rotor cannot achieve the required temperature at this speed.

## Analog J2 Series Centrifuges (Models J2-HS and J2-HC)

**1** Turn the **SET** knob on the centrifuge control panel to the required sample temperature.

**2** Find the compensation value in [Table 1](#) for Models J2-HS or [Table 2](#) for Model J2-HC that corresponds to the required temperature and run speed.

Set the **COMP** dial to that setting.

(Interpolate if intermediate values are required.)

**NOTE** Temperature settings for J-21 and J2-21 series centrifuges must be empirically determined.

---

### ***Microprocessor-Controlled J2 Series Centrifuges (Models J2-MI and J2-MC)***

---

- 1** Press the **TEMP** key on the centrifuge control panel and then use the keypad to enter the sample temperature.

---

  - 2** Find the compensation value in [Table 1](#) that corresponds with the set temperature and run speed.

---

  - 3** Press **COMP ADJ**.  
The word “**COMP**” flashes below the TEMPERATURE display and the display flashes.

---

  - 4** Use the keypad to enter the required compensation value.  
Press the  $\pm$  key to enter a minus sign; pressing it again will remove the minus sign.

---

  - 5** Check the temperature display. (If the entry is incorrect, press **ce** and reenter the digits.)

---

  - 6** When the entry is correct, press **ENTER/RECALL**.
- 

**NOTE** To clear a COMP ADJ entry, press **COMP ADJ**, **0**, and **ENTER/RECALL**.

## **Run Procedure**

When the rotor is properly loaded and installed in the centrifuge, you are ready to perform the run. Refer to the applicable centrifuge instruction manual for operating instructions.



**WARNING**

Operator error or tube failure may generate aerosols. Toxic, pathogenic, or other hazardous materials must not be run in this rotor unless all appropriate safety precautions are taken. Also see the Safety Notice at the beginning of this manual.

**CAUTION**

Make sure that the rotor is properly seated on and securely fastened to the drive hub before each run.

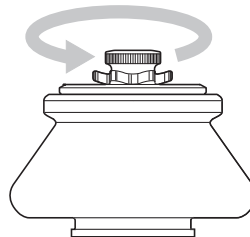
## Removal and Sample Recovery

**CAUTION**

If disassembly reveals evidence of leakage, you should assume that some fluid escaped the rotor. Apply all appropriate safety and decontamination procedures to the centrifuge and accessories.

### Dual-Locking Lid

- 1 Place one hand on the rotor to keep it from turning.  
Grasp the round lid knob with your other hand and turn the knob to the left (counterclockwise) until the stem disengages from the drive hub threads.

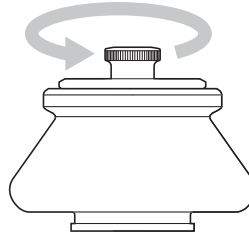


- 2 Hold the knob or place your hands on the rotor and lift the rotor straight up off the drive hub.
- 3 Place the rotor on a counter or bench top under a safety hood.
- 4 Grasp the daisy knob and turn it to the left (counterclockwise) until it disengages.
- 5 Remove the lid and set it aside.

## Single-Locking Lid

---

- 1 Unscrew the lid knob.



- 2 Remove the lid and set it aside.
- 

- 3 Lift the rotor straight up off the drive hub to avoid bending or damaging the hub.
- 

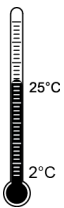
## Tubes and Bottles

The JA-25.50 rotor uses the tubes and bottles listed in [Table 3](#). Be sure to use only those items listed, and to observe the maximum speed limits and fill volumes shown. (Maximum fill volume is the maximum amount that can be centrifuged in the container listed.)

Refer to *Chemical Resistances* (publication IN-175) for information on the chemical compatibilities of tube and accessory materials.

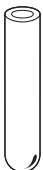
### Temperature Limits

- Plastic tubes and bottles have been centrifuge tested for use at temperatures between 2 and 25°C. For centrifugation at other temperatures, pretest tubes under anticipated run conditions.
- If plastic containers are frozen before use, make sure that they are thawed to at least 2°C prior to centrifugation.



### Thickwall Tubes

Thickwall polypropylene, and polycarbonate tubes can be run partially filled (at least half filled) with or without caps, but all opposing tubes for a run must be filled to the same level with liquid of the same density. Do not overfill capless tubes..



**Table 3** Available Tubes and Bottles for the JA-25.50 Rotor<sup>a</sup>

Tube or Bottle			Required Accessory		Part Number	Max Speed <sup>b</sup> /RCF / <i>k</i> factor
Dimensions and Volume	Description	Part Number	Max. Fill Volume (mL)	Description		
24 × 104 mm 50 mL	polycarbonate bottle assy w/cap	361693	40	none	—	25,000 RPM 75,600 × <i>g</i> 418
29 × 104 mm 50 mL	polypropylene bottle assy w/cap	361694	40	none	—	25,000 RPM 75,600 × <i>g</i> 418
29 × 104 mm 50 mL	polycarbonate bottle, screw-cap	357002	40	none	—	25,000 RPM 75,600 × <i>g</i> 418
29 × 104 mm 50 mL	polypropylene bottle, screw-cap	357003	40	none	—	25,000 RPM 75,600 × <i>g</i> 418
29 × 104 mm 50 mL	polycarbonate thickwall tube, snap-on cap	363664	36.5	natural 29-mm cap red 29-mm cap green 29-mm cap yellow 29-mm cap blue 29-mm cap	356264 <sup>c</sup> 357359 <sup>c</sup> 357360 <sup>c</sup> 357361 <sup>c</sup> 357362 <sup>c</sup>	20,000 RPM 48,400 × <i>g</i> 653
9 × 104 mm 50 mL	polypropylene thickwall tube, <sup>d</sup> snap-on cap	357005	36.5	natural 29-mm cap red 29-mm cap green 29-mm cap yellow 29-mm cap blue 29-mm cap	356264 <sup>c</sup> 357359 <sup>c</sup> 357360 <sup>c</sup> 357361 <sup>c</sup> 357362 <sup>c</sup>	20,000 RPM 48,400 × <i>g</i> 653
29 × 104 mm 50 mL	polycarbonate thickwall tube, no cap	363647	35	none	—	25,000 RPM 75,600 × <i>g</i> 418
29 × 104 mm 50 mL	polypropylene thickwall tube, no cap	357007	35	none	—	25,000 RPM 75,600 × <i>g</i> 418
16 × 80 mm 10 mL	polycarbonate bottle, screw-cap	355672	10	adapter	361703 <sup>e</sup>	25,000 RPM 63,240 × <i>g</i> 350
9.5 × 38 mm 1.5 mL	polypropylene tube	357448	1.3	adapter	361705 <sup>e</sup>	25,000 RPM 50,960 × <i>g</i> 182

**Table 3** Available Tubes and Bottles for the JA-25.50 Rotor<sup>a</sup> (Continued)

Tube or Bottle			Required Accessory		Part Number	Max Speed <sup>b</sup> /RCF / <i>k</i> factor
Dimensions and Volume	Description	Part Number	Max. Fill Volume (mL)	Description		
9.5 × 38 mm 1.5 mL	polypropylene tube	356090	1.3	adapter	361705 <sup>c</sup>	25,000 RPM 50,960 × <i>g</i> 182
25 × 105 mm	glass tube <sup>f</sup>	f	f	adapter	870331	f

- Use only the items listed here and observe fill volumes and maximum run speeds.
- Maximum speeds listed are guidelines only. These speeds have been achieved in reliability tests at Beckman Coulter, but because of manufacturing variances no guarantee of performance or fit is expressed or implied.
- Polyethylene, package of 25.
- Above 20°C fill polypropylene tubes at least half full. Containers may be filled less than or equal to the maximum fill volumes provided in this table.
- Polyetherimide (PEI); package of 2.
- Commercially available. Observe manufacturer's speed and fill volume guidelines.



### Polycarbonate and Polypropylene Bottles

Capped polycarbonate and polypropylene bottles may be centrifuged completely filled, or partially filled (not less than half full). Containers placed in opposing positions in the rotor must be filled to the same level.

## Run Times

To pellet particles of known sedimentation coefficient *s*, calculate the run time *t* using the *k* factor (395) of the rotor.\* Time is in hours and *s* is in Svedberg units.

$$t = \frac{k}{s} \left( \frac{25\,000}{\text{actual run speed}} \right)^2 \quad \text{EQ 1}$$

For example, at 25,000 RPM, mammalian viruses (*s* = 700 S) can be pelleted in

$$t = \frac{395}{700} \left( \frac{25\,000}{25\,000} \right)^2 \approx 30 \text{ minutes.} \quad \text{EQ 2}$$

\* Based on sedimentation in water at 20°C. Assumes full tubes.

## Run Speeds

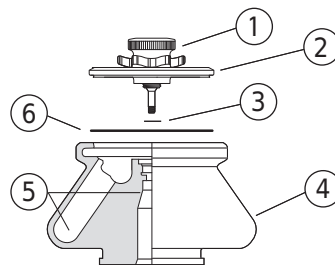
The centrifugal force at a given radius in a rotor is a function of run speed. Comparisons of forces between different rotors are made by comparing the rotors' relative centrifugal fields (RCF). When rotational speed is selected so that identical samples are subjected to the same RCF in two different rotors, the samples are subjected to the same force (see [Table 4](#)).

**Do not select rotational speeds higher than the maximums you have determined to be appropriate for your protocols (in no case above 25,000 RPM).** When solutions more dense than 1.2 g/mL are centrifuged in this rotor, use [EQ 3](#) to calculate the reduced maximum allowable rotor speed.

$$\text{reduced maximum speed} = (25,000 \text{ RPM}) \sqrt{\frac{1.2 \text{ g/mL}}{\text{density of tube contents}}} \quad \text{EQ 3}$$

## Care and Maintenance

### Maintenance



1. Daisy Knob
2. Lid
3. Small O-ring (011757)
4. Rotor Body
5. Check for Corrosion
6. Large O-ring (870612)

**NOTE** Do not use sharp tools on the rotor that could cause scratches in the rotor surface. Corrosion begins in scratches and may open fissures in the rotor with continued use.

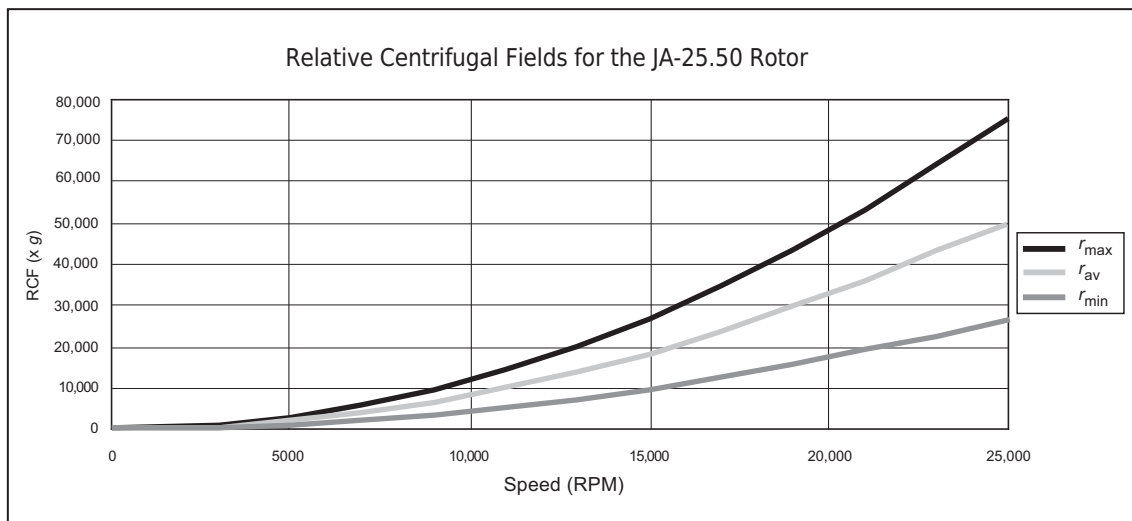
- 1 Periodically (at least monthly) inspect the rotor, especially inside cavities, for rough spots or pitting, white powder deposits (frequently aluminum oxide), or heavy discoloration.  
If any of these signs are evident, do not run the rotor.  
Contact your Beckman Coulter representative for information about the Field Rotor Inspection Program and the rotor repair center.
- 2 Before using the rotor, inspect the rotor drive pins to ensure that they are not damaged.  
Damaged drive pins can prevent the rotor from seating properly on the centrifuge drive hub (Avanti J series centrifuges only).  
To inspect the drive pins, turn the rotor upside down and look into the drive hole in the center of the rotor.  
If the drive pins appear damaged, contact Beckman Coulter Field Service.\*

\* In the United States call 1-800-742-3485; outside the U.S. contact your local Beckman Coulter office or visit us on the web at [www.beckman.com](http://www.beckman.com)

**Table 4** Relative Centrifugal Fields for the JA-25.50 Rotor<sup>a</sup>

Rotor Speed (RPM)	Relative Centrifugal Field ( $\times g$ )		
	At $r_{\max}$ (108 mm)	At $r_{\text{av}}$ (73.2mm)	At $r_{\min}$ (38.5 mm)
25,000	75,600	51,200	27,000
23,000	64,000	43,400	22,800
21,000	53,300	36,200	19,000
19,000	43,700	29,600	15,600
17,000	35,000	23,700	12,500
15,000	27,200	18,500	9700
13,000	20,400	13,900	7300
11,000	14,600	9900	5700
9000	9800	6640	3490
7000	5930	4020	2110
5000	3020	2050	1080
3000	1090	737	388
1000	121	82	43

a. Entries in this table are calculated from the formula  $RCF = 1.12r (RPM/1000)^2$  and then rounded to three significant digits.



- 3 Regularly lubricate the metal threads in the rotor with a thin, even coat of Spinkote lubricant. Failure to keep these threads lubricated can result in damaged threads.
- 4 Regularly apply silicone vacuum grease to the O-rings. Replace O-rings about twice a year or whenever worn or damaged.
- 5 Refer to *Chemical Resistances* (publication IN-175) for the chemical compatibilities of rotor and accessory materials.  
Your Beckman Coulter representative provides contact with the Field Rotor Inspection Program and the rotor repair center.

## Cleaning

*Wash the rotor and rotor components immediately if salts or other corrosive materials are used or if spillage has occurred. Do not allow corrosive materials to dry on the rotor.*

Under normal use, wash the rotor frequently (at least weekly) to prevent buildup of residues.

- 1 Remove the O-rings before washing.
- 2 Wash the rotor and lid in a mild detergent, such as Solution 555 (339555), that won't damage the rotor.



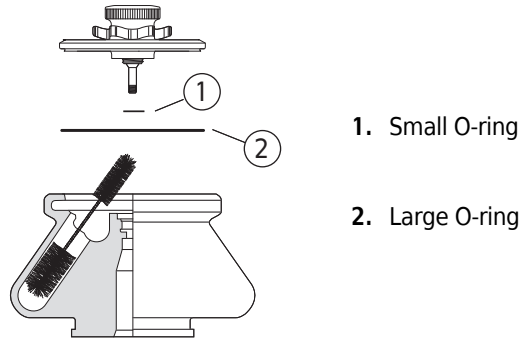
Dilute the detergent with water (10 parts water to 1 part detergent).

The Rotor Cleaning Kit contains two plastic-coated brushes and two quarts of Solution 555 (339555) for use with rotors and accessories.

**NOTE** Do not wash rotor components in a dishwasher. Do not soak in detergent solution for long periods, such as overnight.

- 3 Thoroughly rinse the cleaned rotor and components with distilled water.
- 4 Air-dry the rotor and lid upside down.  
*Do not use acetone to dry the rotor.*

- 5 Apply a thin, even coat of silicone vacuum grease to both lid O-rings before replacing them in the lid.



- 6 Clean metal threads every 6 months, or as necessary.  
Use a brush and concentrated Solution 555.  
Rinse and dry thoroughly, then lubricate lightly but evenly with Spinkote to coat all threads.
- 7 Periodically remove the O-rings and wipe clean as necessary.
- Clean the O-ring grooves with a cotton-tipped swab.
  - Reapply a light film of silicone vacuum grease.

## Decontamination



If the rotor (and/or accessories) becomes contaminated with radioactive material, it should be decontaminated using a solution that will not damage the anodized surfaces. Beckman Coulter has tested a number of solutions and found two that do not harm anodized aluminum: RadCon Surface Spray or IsoClean Solution (for soaking),\* and Radiacwash.†

**NOTE** IsoClean can cause fading of colored anodized surfaces. Use it only when necessary and remove it promptly from surfaces.

\* In U.S., contact Nuclear Associates (New York); in Eastern Europe and Commonwealth States, contact Victoreen GmbH (Munich); in South Pacific, contact Gammasonics Pty. Ltd. (Australia); in Japan, contact Toyo Medic Co. Ltd. (Tokyo).

† In U.S., contact Biodex Medical Systems (Shirley, New York); internationally, contact the U.S. office to find the dealer closest to you.



While Beckman Coulter has tested these methods and found that they do not damage components, no guarantee of decontamination is expressed or implied. Consult your laboratory safety officer regarding the proper decontamination methods to use.

If the rotor or other components are contaminated with toxic or pathogenic materials, follow appropriate decontamination procedures as outlined by your laboratory safety officer.

## Sterilization and Disinfection



- The rotor and all rotor components can be autoclaved at 121°C for up to an hour. Remove the lid from the rotor and place the rotor, lid, and spacers in the autoclave upside down.
- Ethanol (70%) or hydrogen peroxide (6%) may be used on all rotor components, including those made of plastic. Bleach (sodium hypochlorite) may be used, but may cause discoloration of anodized surfaces. Use the minimum immersion time for each solution, per laboratory standards.



**Ethanol is a flammability hazard. Do not use it in or near operating centrifuges.**

While Beckman Coulter has tested these methods and found that they do not damage the rotor or components, no guarantee of sterility or disinfection is expressed or implied. When sterilization or disinfection is a concern, consult your laboratory safety officer regarding proper methods to use.

Refer to publication IN-192 (included with each box of tubes) for tube sterilization and disinfection procedures.

## Storage

When it is not in use, store the rotor in a dry environment (not in the instrument) with the lid removed to allow air circulation so moisture will not collect in the tube cavities.

## Returning a Rotor

---

Before returning a rotor or accessory for any reason, prior permission must be obtained from Beckman Coulter, Inc. A return form may be obtained from your local Beckman Coulter sales office. The form should contain the following information:

- rotor type and serial number,
- history of use (approximate frequency of use),
- reason for the return,
- original purchase order number, billing number, and shipping number, if possible,
- name and email address of the person to be notified upon receipt of the rotor or accessory at the factory,
- name and email address of the person to be notified about repair costs, etc.

To protect our personnel, it is the customer's responsibility to ensure that all parts are free from pathogens and/or radioactivity. Sterilization and decontamination must be done before returning the parts. Smaller items (such as tubes, bottles, etc.) should be enclosed in a sealed plastic bag.

*All parts must be accompanied by a note, plainly visible on the outside of the box or bag, stating that they are safe to handle and that they are not contaminated with pathogens or radioactivity. **Failure to attach this notification will result in return or disposal of the items without review of the reported problem.***

Use the address label printed on the return form when mailing the rotor and/or accessories.

Customers located outside the United States should contact their local Beckman Coulter office.

## Supply List

---

**NOTE** Publications referenced in this manual can be obtained at [www.beckman.com](http://www.beckman.com), by calling Beckman Coulter at 1-800-742-2345 in the United States, or by contacting your local Beckman Coulter office.

See the *High Performance, High Speed, High Capacity Rotors, Tubes & Accessories* catalog (BR-8102) for detailed information on ordering parts and supplies. For your convenience, a partial list is given below.

## Replacement Rotor Parts

Description	Part Number
Rotor assembly, dual-locking lid	363058
Rotor assembly, single-locking lid	363055
Large O-ring for lid	870612
Small O-ring for lid	011757
Lid assembly, dual locking	363023
Lid assembly, single locking	363053

## Supplies

**NOTE** For MSDS information, go to the Beckman Coulter website at [www.beckman.com](http://www.beckman.com).

Description	Part Number
Tubes, bottles, and adapters	see <a href="#">Table 3</a>
Rotor Cleaning Kit	339558
Silicone vacuum grease (1 oz)	335148
Solution 555 (1 qt)	339555
Spinkote lubricant (2 oz)	306812



# Beckman Coulter, Inc. J Series Rotor Warranty

Subject to the conditions specified below and the warranty clause of the Beckman Coulter, Inc., terms and conditions of sale in effect at the time of sale, Beckman Coulter, Inc. agrees to correct either by repair, or, at its election, by replacement, any defects of material or workmanship which develop within seven (7) years after delivery of a J series rotor to the original buyer by Beckman Coulter, Inc. or by an authorized representative, provided that investigation and factory inspection by Beckman Coulter, Inc. discloses that such defect developed under normal and proper use. Should a Beckman Coulter centrifuge be damaged due to a failure of a rotor covered by this warranty, Beckman Coulter will supply free of charge all centrifuge parts required for repair.

## Replacement

Any product claimed to be defective must, if requested by Beckman Coulter, Inc., be returned to the factory, transportation charges prepaid, and will be returned to Buyer with the transportation charges collect unless the product is found to be defective, in which case Beckman Coulter, Inc. will pay all transportation charges.

A defective rotor will be replaced by Beckman Coulter, Inc. at its then current list price less a credit based upon the age of the rotor (years since date of purchase). The Buyer shall not receive credit until the claimed defective rotor is returned to Beckman Coulter's Indianapolis, Indiana facility or delivered to a Beckman Field Service representative.

The replacement price (cost to Buyer) for the respective rotor shall be calculated as follows:

$$\text{Replacement price} = \text{Current rotor list price} \times \frac{\text{years}}{7}$$

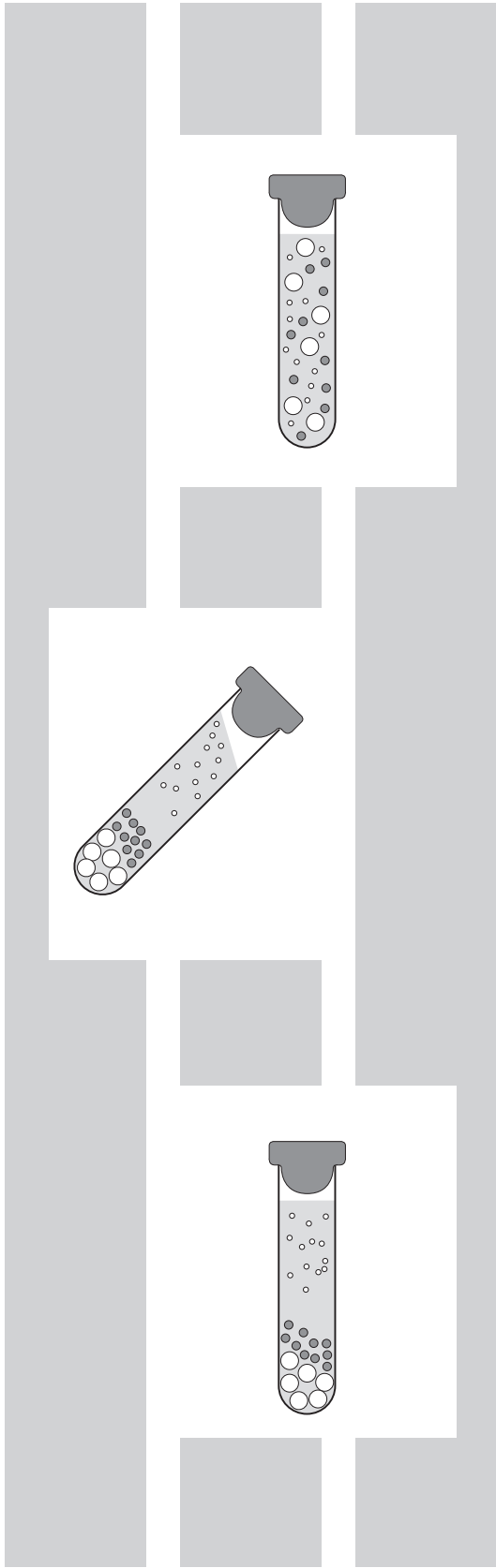
## Conditions

1. Except as otherwise specifically provided herein, this warranty covers the rotor only and Beckman Coulter, Inc. shall not be liable for damage to accessories or ancillary supplies including but not limited to (i) tubes, (ii) tube caps, (iii) tube adapters, or (iv) tube contents.
2. This warranty is void if the rotor has been subjected to customer misuse such as operation or maintenance contrary to the instructions in the Beckman Coulter rotor or centrifuge manual.
3. This warranty is void if the rotor is operated with a rotor drive unit or in a centrifuge unmatched to the rotor characteristics, or is operated in a Beckman Coulter centrifuge that has been improperly disassembled, repaired, or modified.

## Disclaimer

IT IS EXPRESSLY AGREED THAT THE ABOVE WARRANTY SHALL BE IN LIEU OF ALL WARRANTIES OF FITNESS AND OF THE WARRANTY OF MERCHANTABILITY AND THAT BECKMAN COULTER, INC. SHALL HAVE NO LIABILITY FOR SPECIAL OR CONSEQUENTIAL DAMAGES OF ANY KIND WHATSOEVER ARISING OUT OF THE MANUFACTURE, USE, SALE, HANDLING, REPAIR, MAINTENANCE, OR REPLACEMENT OF THE PRODUCT.





## Related Documents

### **Rotors and Tubes for Beckman Coulter J2, J6, and Avanti J Series Centrifuges**

PN JR-IM-10

- Rotors
- Tubes, Bottles, and Accessories
- Using Tubes and Accessories
- Using Fixed-Angle Rotors
- Using Swinging-Bucket Rotors
- Using Vertical-Tube and Rack Type Rotors
- Care and Maintenance
- Chemical Resistances
- Temperature Compensation Tables
- Gradient Materials
- Blood Component Separation

Available in electronic pdf or CD-ROM by request.

### **Avanti J-26S XP**

PN B10087

### **Avanti J-26S XPI**

PN B10093

### **Avanti J-26 XP**

PN J326XP-IM-5

### **Avanti J-26 XPI**

PN J326XPI-IM-4

### **Avanti J-30I**

PN J330I-IM-9

### **Avanti J-E**

PN SJ-IM-8

### **Avanti JXN**

PN B38322

PN B38323

### **Use and Care of Centrifuge Tubes and Bottles**

PN IN-192

### **Chemical Resistances for Beckman Coulter Centrifugation Products**

PN IN-175

### **High Performance, High Speed, High Capacity Rotors, Tubes, & Accessories**

PN BR-1802

Available in hard copy by request.

Available at  
[www.beckman.com](http://www.beckman.com)

[www.beckman.com](http://www.beckman.com)

